

LED SOLUTIONS READYLINE C07-E

DRIVER-ON-BOARD
TECHNOLOGY



LED SOLUTIONS READYLINE C07-E

Built-in self ballasted LED solutions for direct connection to mains voltage

With so-called Driver-on-Board technology (DoB), the control gear unit is directly integrated into the LED module, which permits direct connection to mains voltage (220–240 V, 50/60 Hz).

The built-in LED solutions of the ReadyLine series are suitable for residential and furniture lighting, as a replacement for halogen, energy-saving and compact fluorescent lamps and get more freedom for creative design process.

Typical applications

- Replacement for compact fluorescent lamps (ideal for wall-mounted and ceiling-mounted luminaires)
- Integration in luminaires
- Residential lighting
- Architectural lighting
- Retail lighting
- Furniture lighting



ReadyLine C07-E

- DIRECT MAINS CONNECTION
- GLUED COVER TO PROTECT AGAINST ELECTRICAL SHOCK
- DIP-SWITCH: 16 W / 10 W
- ACC. TO EU REGULATION 2019/2020 (ECODESIGN) AND 2019/2015 (ENERGY LABEL)
- LONG SERVICE LIFE
- DIMMABLE

LED Solutions ReadyLine C07-E

Built-in self ballasted LED Solutions for direct connection to mains voltage

Technical notes

LED built-in module for integration into luminaires

Mains voltage: 220–240 V, 50/60 Hz

Power factor: > 0.95

Surge protection: ≥ 1 kV

THD: < 25 %

Colour accuracy initially: 3 MacAdam

Protection cover: PC, UV-glued or rivetted (module with heat sink)

Dimensions (ØxH):

Ø 72 x 11 mm with cover

Ø 120 x 30.7 mm with heatsink

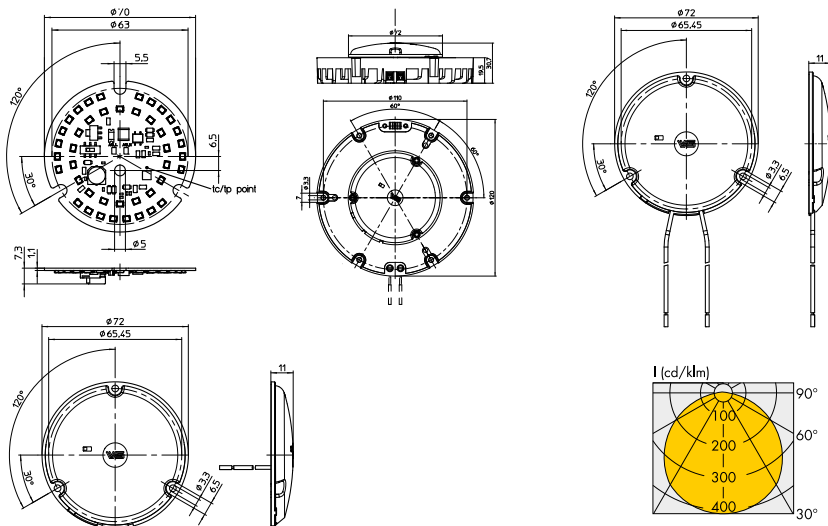
With leads for led module without heatsink:

double FEP/FEP insulation, length 250mm
centrale or lateral lead exit

Fixation: fixing holes for screws M2

Lumen maintenance: L70/B50, 50,000 hrs.
at $t_c/t_p = 70\text{ °C}$

Max. operating temperature at t_c point: 85 °C



Electrical Characteristics

at $t_p = 55\text{ °C}$

Type	Typ. supply voltage AC V	Operation frequency Hz	Inrush current mA	Typ. power consumption at 230 V (W)	Total harmonic distortion (THD) %	SVM	P _s LM	Percent flicker %
LR45W_16W_10W_xxx_230V	230	50/60	50	10	≤25	<0.4	<1.0	<10
LR45W_16W_10W_xxx_230V	230	50/60	77	16	≤25	<0.4	<1.0	<10

* Average value (not for specification purpose) | ** Optional for use in luminaires of protection class I | *** Mandatory for use in luminaires of protection class II

Maximum Ratings

Exceeding the maximum ratings can lead to reduction of service life or destruction of the modules.

Type	Power consumption W	Operation voltage range AC (V)		Operation temperature range at t_c/t_p point		Storage temperature range	
		min.	max.	°C min.	°C max.	°C min.	°C max.
LR45W_16W_10W_xxx_230V	10	220	240	-30	+85	-40	+85
LR45W_16W_10W_xxx_230V	16	220	240	-30	+85	-40	+85

Operating Life

in hours at measured temperature at t_p point

Lumen maintenance	50 °C	60 °C	70 °C	80 °C	50 °C	60 °C	70 °C	80 °C
	in hrs.	in hrs.	in hrs.	in hrs.	in hrs.	in hrs.	in hrs.	in hrs.
	10W				16W			
L90/B10	30,000	30,000	20,000	15,000	25,000	25,000	20,000	15,000
L80/B10	50,000	45,000	40,000	35,000	50,000	45,000	35,000	30,000
L70/B10	50,000	50,000	45,000	40,000	50,000	45,000	40,000	35,000

Lifetime L70/B50, >50,000 hrs at $t_p = 70\text{ °C}$

The values contained in this data sheet can change due to technical innovations. Any such changes will be made without separate notification.

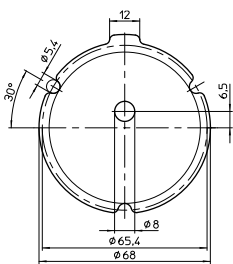
ReadyLine C07-E – LED Solutions for Direct Connection to Mains 220–240 V

Optical Characteristics

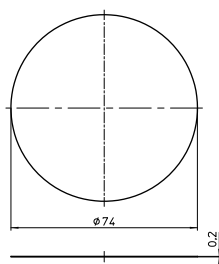
Max. output W	Type	Ref. No.		Colour	Correlated colour temperature K	Cover	lead exits	Luminous flux (lm) and typ. efficiency (lm/W)*			
		with heat sink	without heat sink					16W lm	16W lm/W	10W lm	10W lm/W
16 & 10W	LR45W_16W_10W_927_230V	572266	572262	warm white	2700	clear	central	1520	95	970	97
		on request 572263	572263								
		572267	572264								
		on request 572265	572265								
	LR45W_16W_10W_930_230V	572272	572268	warm white	3000	clear	central	1545	97	985	99
		on request 572269	572269								
		572273	572270								
		on request 572271	572271								
	LR45W_16W_10W_940_230V	572332	572328	neutral white	4000	clear	central	1605	100	1025	103
		on request 572329	572329								
		572333	572330								
		on request 572331	572331								
Thermal pads		Dimensions ØxH		No. Of adhesive sides		Application		Thermal conductivity		Breakdown voltage**	
553422		68 x 0.2		1		Class. I		2 W/mK		3 kV	
555010		74 x 0.2		2		Class. II		0.9 W/mK		10.3 kV	

* Production tolerance of luminous flux and efficiency: +/-10% - CRI+/-3 | ** Average value (not for specification purpose)

Ref. No. 553422

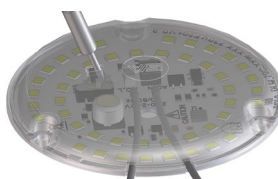


Ref. No. 555010



DIP-Switch information

Dip-switch can be moved with a plastic tool of max. 1.8mm in dia.



Logistics information

Type	Packaging dimensions LxWxH (mm)	Packaging unit/ minimum order quantity			Weight single g	Gross Weight package g
		pcs.	pcs./tray	trays/box		
LR45W_16W_10W_xxx_230V without heatsink	600x400x80	48	24	2	32	2700
LR45W_16W_10W_xxx_230V with heatsink	600x400x80	28	14	2	245	6800
Tape	-	48	-	-	-	-

EPREL information

ReadyLine C07-E is a containing product of LED modules:

- Type DLM_70C_xxx

Light Source

Containing product	Light Source	EPREL Regi. No.	EE Class
ReadyLine C07-E			
Type	Type		
LR45W_16W_10W_927_230V	DLM_70C_16W_927_A1	1216299	F
LR45W_16W_10W_930_230V	DLM_70C_16W_930_A1	1216397	F
LR45W_16W_10W_940_230V	DLM_70C_16W_940_A1	1216608	F

The values contained in this data sheet can change due to technical innovations. Any such changes will be made without separate notification.

ReadyLine C07-E

Assembly and Safety Information

The LED modules are designed for direct mains operation (230 V AC). Installation must be carried out under observation country specific relevant safety regulations and standards.

- The LED module is a built-in lighting module to assemble into luminaires.
- Suitable for luminaires of protection class I, grounding is mandatory to comply with safety standards.
- In case of applications in luminaires of protection class II the safety regulations acc. to luminaire safety standards must be observed.
- Operation of the LED module is not allowed when it is not built-in into a luminaire. Depending on application, luminaire application specific safety standards have to be observed (e.g. EN 60598-1 for Europe). Depending on the use of the luminaire in different countries (export), the country specific safety standards have to be regarded (e.g. EN 60598-1 for Europe).
 - Regard to sufficient isolation acc. country specific standards.
 - Live parts must not be touched. Luminaire must be closed acc. country specific standards. **Danger of life!!!**
- Clearance and creepage distances of the module are designed for class I luminaires (basic insulation). For built-in of the module the required standards have to be observed (e.g. EN 60598-1).
- Do not exceed values given in this specification.
- Do not exceed max t_c temperature of 85 °C.
- The module must be fixed onto a thermally conductive surface. Heat sink must cover the entire backside surface of the module.
- For the operation of VS recommends to mount the module directly onto the metal heat sink or luminaire housing is mandatory to comply with immunity standards (e.g. EN 61547).
- When installing/screwing the module into a luminaire, please ensure that cables are not squeezed between luminaire/heat-sink and LED module.
- Please ensure standard ESD (electrostatic discharge) protection measures are employed when handling and installing LED modules. Electrostatic discharge can damage LEDs.
- Parallel connection is mandatory for safe electrical operation. Serial connection of LED modules is not allowed.
- Due to the used electronic parts on the module not all available phase-cutting dimmers are compatible. Dimmable with phase-cutting leading- and trailing-edge dimmer. Minimum dimmer load has to be observed. The compatibility of the dimmer and the modules has to be confirmed prior to installation to avoid flickering.
- To ensure problem-free operation, the specified maximum temperature at the t_c point (see "Operating Life") must be observed (measured in accordance with EN 60598-1). To satisfy this point, it is necessary to put measures in place to ensure any heat is dissipated from the LED module to the environment. In the event of outdoor applications or applications in damp locations, care must be taken to protect LED assembly modules against humidity, splashes and jets of water. Any corrosion damage resulting from humidity or contact with condensation will not be recognised as a defect or manufacturing fault. LED assembly modules are not specially protected against foreign bodies or dust. Depending on the type of application, further protection must be ensured to prevent dust and foreign bodies from entering. Relevant country and application specific standards have to be regarded.



- Installation by qualified electrician only
- Do not add or change wires while circuit is active
- Do not make modifications on module
- Do not use adhesives to attach that outgas organic vapour
- Do not use together with material containing sulfur
- Do not operate module with AC generators
- Do not operate modules by DC
- LED modules must not be subjected to any undue mechanical stress, e. g.: LED module
 - handle modules carefully
 - avoid shear and compressive forces onto the modules during handling and installation
 - avoid vibrations of more than 2 kHz, 40 G
- If module is used in rooms with fast moving parts as the light modulation might cause stroboscopic effects.
- This LED module might interfere with displays and cameras due to modulation.
- The photobiological safety of the LED modules is classified into risk groups. Assessment in acc. with IEC/TR 62778
 - LR45W-xxW general lighting: RG1 unlimited

Applied Standards

- EN 62031
LED modules for general lighting – Safety specifications
- EN 62471 and IEC TR 62778
Photobiological safety of lamps and lamp systems
- EN 55015
Radio disturbance emissions
- EN 61000-3-2
Limits for harmonic emissions
- EN 61547
Immunity requirements
- EN 61000-3-3
Limits for voltage fluctuations and flicker

Product Guarantee

- 5 years
- The conditions for the Product Guarantee of the Vossloh-Schwabe Group shall apply as published on our homepage (www.vossloh-schwabe.com). We will be happy to send you these conditions upon request.

Selection of automatic cut-outs

Type	Automatic cut-out type and possible no. of ReadyLine C07-E (pcs.)					
LR45W_16W_10W_xxx_230V						
Automatic cut-out type	B 10 A	B 16 A	B 20 A	C 10 A	C 16 A	C 20 A
10W	217	347	434	217	347	434
16W	144	231	289	144	231	289

The values contained in this data sheet can change due to technical innovations. Any such changes will be made without separate notification.