

# COMPACT OPTICS 2X6 FOR SMD W4.5 – 3535



## COMPACT OPTICS 2x6 FOR SMD W4.5 – 3535

The optics made of high-quality optical material are designed for installation in luminaires without a glass cover and can be used for many street lighting applications. For the typical lighting situations of the street a uniform and at the same time glare-free light with low color deviations is possible.

The optics are optimized for high power LEDs with a footprint 3535. Typical 3535 LED types for use with these optics are Osram Oslon square; Samsung LH351; Seoul Z5M; Cree XPx; Luxeon Rebel. But also LEDs with a footprint 5050 like the Seoul 5050, Samsung LH-502C/508C or Lumileds Luxeon 5050 find place under the optics.

The IP67 protection class ensures optimum protection against the ingress of dirt, dust and water and allows glass covers to be saved.

### Compact optics 2x6 for SMD W4.5 – 3535

- **HIGH QUALITY OPTICAL MATERIAL**
- **OPTICAL EFFICIENCY OF UP TO 96 (WITHOUT FRONT GLASS)**
- **UNIFORM AND AT THE SAME TIME GLARE-FREE LIGHT**
- **LOW COLOR DEVIATIONS**
- **OPTIC SUITABLE FOR ZHAGA-COMPLIANT LIGHT ENGINES**
- **UV RESISTANT**

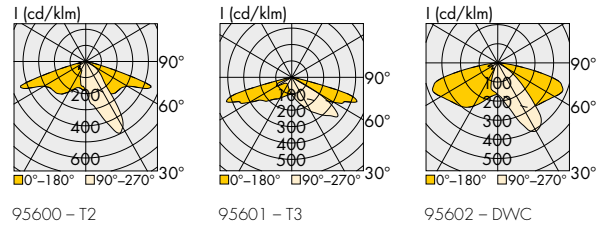


## Compact optics 2x6 for SMD W4.5 – 3535

### Technical Notes for Optics

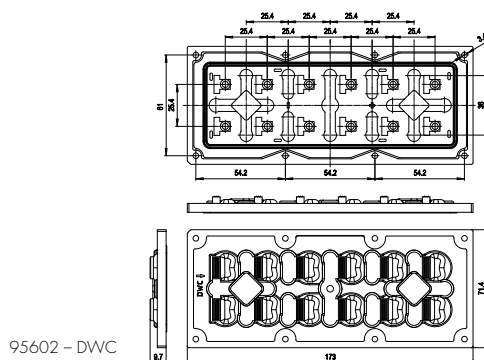
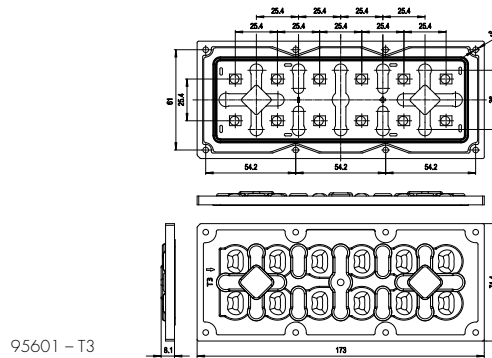
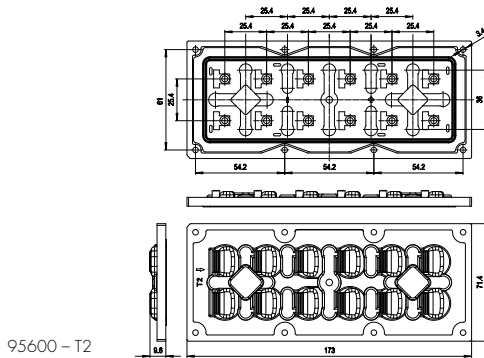
- Material: PMMA
- Dimensions (LxWxH): 173x71 mm
- Max. allowed temperature: 80 °C
- Fixing hole for M3
- Max. torque on screws M3: 0.5 Nm
- Protection class: IP67 (incl. silicone seal)

**IP67**



Light distribution	Optics type	Ref. No.	Efficiency %	Weight g	Packaging unit
T2	95600	<b>572276</b>	93	54.2	140
T3	95601	<b>572195</b>	93	47.6	140
DWC	95602	<b>572277</b>	93	52.4	140

### Mechanical Dimensions



The values contained in this data sheet can change due to technical innovations. Any such changes will be made without separate notification.