



BLUETOOTH® WIRELESS  
TECHNOLOGY DEVICES  
AS RELAIS



## BLUETOOTH® WIRELESS TECHNOLOGY DEVICES AS RELAIS

### **Blu2Light – The intelligent wireless lighting control solution**

Blu2Light is the first completely open Bluetooth® wireless technology system with mesh functionality for the professional lighting market, which, in addition to a variety of functions for lighting control, offers the luminaire manufacturer added IoT benefits with maximum system security.

### **Blu2Light Relais**

The Blu2Light relay can be used to integrate non-dimmable lights (or similar loads) into the Blu2Light system from Vossloh-Schwabe. The Blu2Light relay can also be used to control shutters or blinds. The relay is set up via app.

#### **Blu2Light Relais**

- **CONTROL VIA BLU2LIGHT MESH**
- **SMALL HOUSING DESIGN**
- **CAN BE USED FOR AUTOMATIC CONTROL OF SHUTTERS OR BLINDS**
- **LONG LIFE UP TO 50,000 HOURS**
- **PRODUCT GUARANTEE: 5 YEARS**
- **INDEPENDENT MOUNTING**



# Blu2Light Light Management – Blu2Light Relais

## Blu2Light relay

### Relay module with Bluetooth® wireless technology

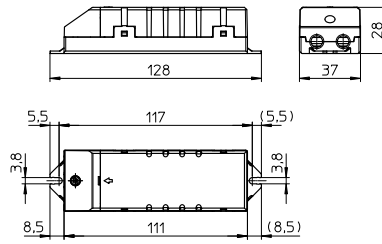
For installation in flush-mounted boxes or suspended ceilings

Dimensions (LxWxH) 103x36x22 mm

### Important:

The module must be connected to the 230 V AC supply.

Ensure the correct polarity of L and N..



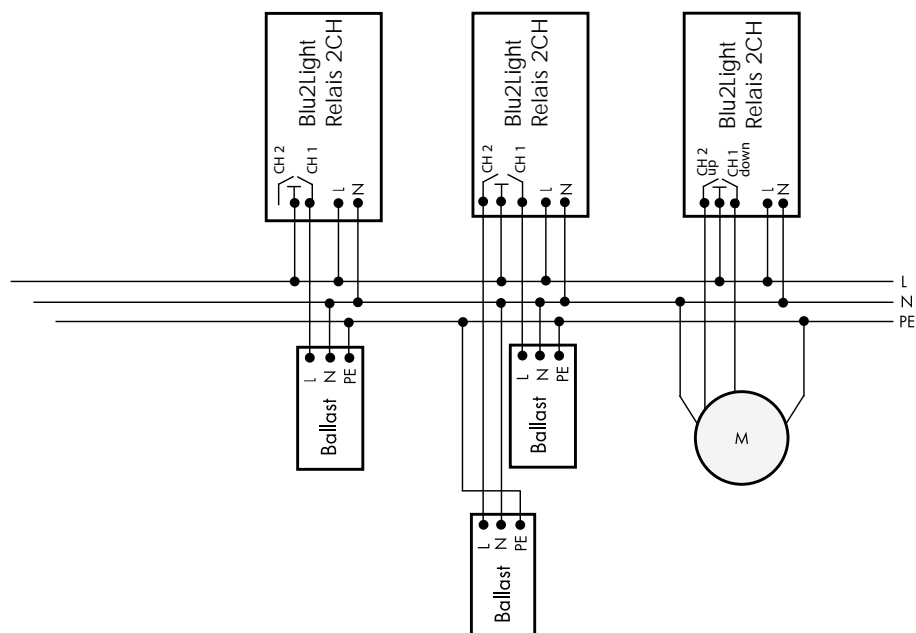
Device	Blu2Light Relais 187236
Communication:	Blu2Light mesh network
Frequency range:	2402–2480 MHz
Power consumption (standby):	< 0.25 W
Output power:	< 10 mW EIRP
Power supply:	95–240 V AC bei 50/60 Hz
Switching capacity AC max.	4 A Ohmic load
Switching capacity DC max.	4 A Ohmic load
Ambient temperature $t_a$ :	5–50 °C
Degree of protection:	IP20
Protection class:	II
Dimensions (LxWxH):	103 x 36 x 22 mm
Casing:	plastic, white
Weight:	59 g
Screw terminals for lead cross section:	0,75–2,5 mm <sup>2</sup>
Automatic circuit breaker:	B13 (or more sensitive)

## Product guarantee

- 5 years
- The conditions for the Product Guarantee of the Vossloh-Schwabe Group shall apply as published on our homepage ([www.vossloh-schwabe.com](http://www.vossloh-schwabe.com)). We will be happy to send you these conditions upon request.



## Wiring diagram - Blu2Light Relais



### ■ SOFTWARE IN OPERATION MODE RELAIS "1-channel switch / 2-channel switch"

#### Initial operation

Connect the outputs of the Blu2Light relay to the mains voltage and the device(s) to be switched in accordance with the connection diagram, taking the specified protective measures into account.

#### Functional description

The relay is set up in the same way as the other Blu2Light devices via the app.

For the exact procedure for configuring the system, please refer to the operating instructions for the LiNA Connect at [www.blu2light.de/de/apps](http://www.blu2light.de/de/apps)

### ■ SOFTWARE IN OPERATION MODE SHUTTER "SHUTTERS/BLINDS (UP/DOWN) RESP. (DOWN/UP)"

#### Initial operation

Connect the Blu2Light Relais to relay output and the mains voltage to be switched according to the connection scheme. Take care of safety instructions and precautions as described above.

#### Functional description

The relay is set up in the same way as the other Blu2Light devices via the app.

For the exact procedure for system configuration, please refer to the operating instructions for the LiNA Connect at [www.blu2light.de/de/apps](http://www.blu2light.de/de/apps)

#### Note:

Errors of several cm may occur if intermediate positions are approached several times (e.g. from 30% to 60%). However, this is rectified by travelling to an end point. An automated movement for calibration can be set in the system configuration.

## General Safety Information

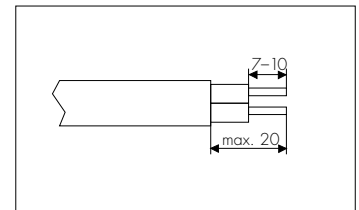
- The Blu2Light products must be installed and commissioned only by authorized trained staff.
- Read these instructions carefully before installing and commissioning the system. This is the only way to ensure safe and correct handling. Keep these instructions in a safe place so that they are available at a later date if necessary.
- The devices must be in a voltage-free state before any work is carried out on them.
- All applicable safety and accident-prevention instructions must be observed.
- The products must never be inexpertly opened since this poses a lethal danger due to electrical voltage. Repairs must only be carried out by the manufacturer.
- Only AC voltage may be connected.

## Mounting

- Independent installation
- Surface: solid, device must not be able to sink into insulation
- Attachment: using 4-mm screws
- Ensure correct polarity according to the connection labelling!
- L and N must be connected correctly and must not be interchanged.

## Installation Notes

- Conductor cross-section for all screw terminals: 0.75 mm<sup>2</sup> – 2.5 mm<sup>2</sup>
  - Lead preparation (see right)
  - Screw terminals: max. torque = 0.4 Nm
  - The device must be installed in such a way as to ensure users do not have direct access to the area of the mains power supply terminal.
  - The maximum permissible current is 4 A per channel.
  - The outputs of different Blu2Light relays must not be connected to each other.
- To ensure safe operation of the Blu2Light relay, the maximum permissible ambient temperature must not be exceeded.



## Configuration

- The Blu2Light devices are configured with the LiNA Connect app and can be operated via the LiNA Touch app.
- For information on the iOS and Android operating systems that can currently be used, refer to the LiNA Connect/ LiNA Touch manual:

